

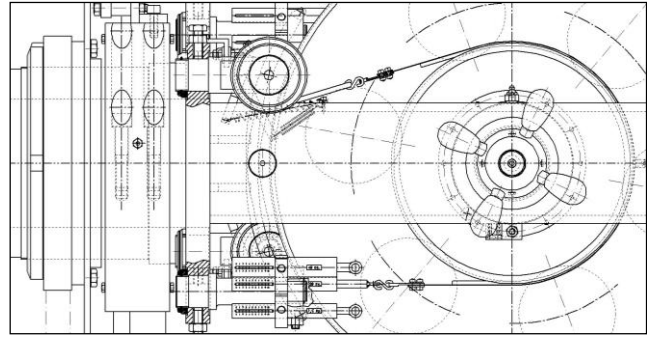
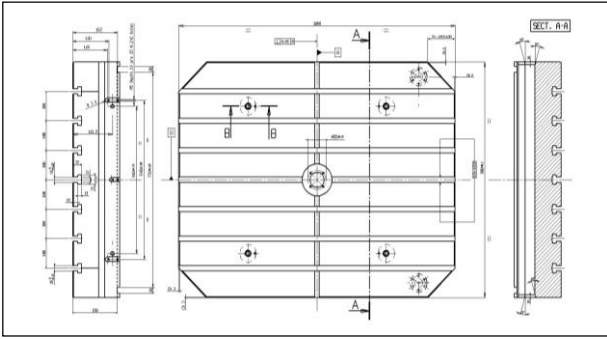
ThinkDesign

Drafting



The strength of experience

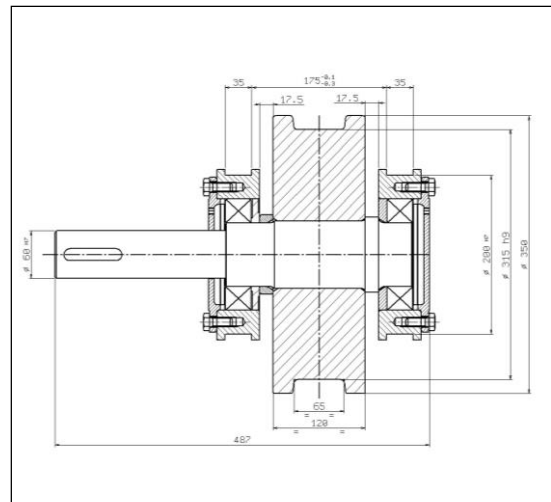
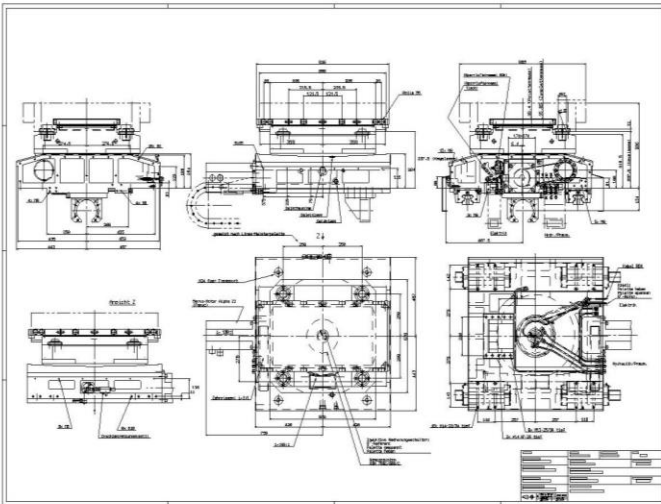
think3



Drafting is still very important for a variety of reasons: a large 2D archive to work on, dialogue with outside studios and customers using only 2D, product type not appropriate for 3D. Or, even though the advantages of 3D drafting are acknowledged, the time is not yet ripe in that specific situation or its extended use is still premature. think3 offers many excellent design solutions, and drafting is a perfect example: excellence achieved thanks to many years of work and experience. ThinkDesign Drafting offers a complete range of tools that makes it totally independent and productive. In ThinkDesign Drafting, companies find the exact 2D drawing tool they need, so that draughtsmen and designers can do their daily work quickly and well.

CONFORMITY TO STANDARDS

ThinkDesign Drafting guarantees the creation of drawings that conform to international standards. ISO, ANSI, JIS and GB drawing standards are fully supported, and each new entity is generated in conformity to user settings. Existing drawings and drawings imported via converters can be quickly and easily converted to a specific standard or unit of measurement.

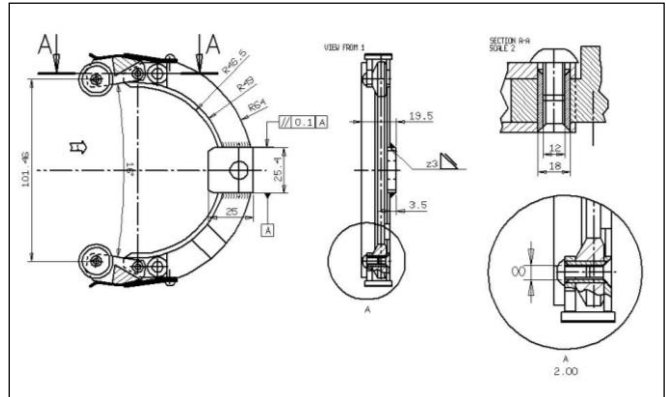
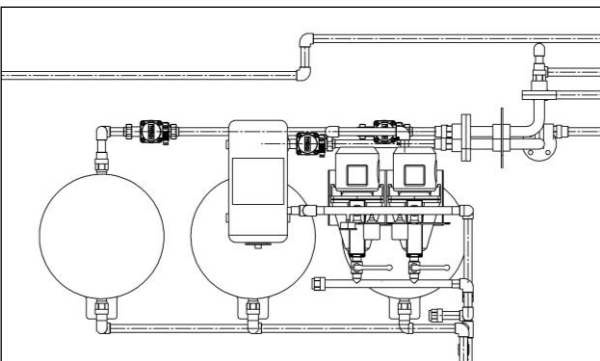
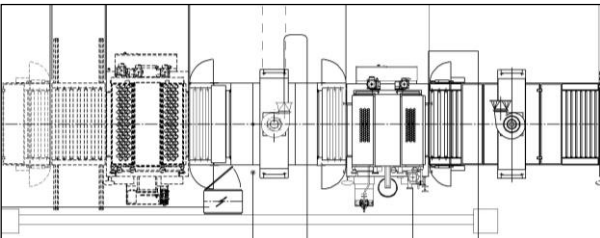
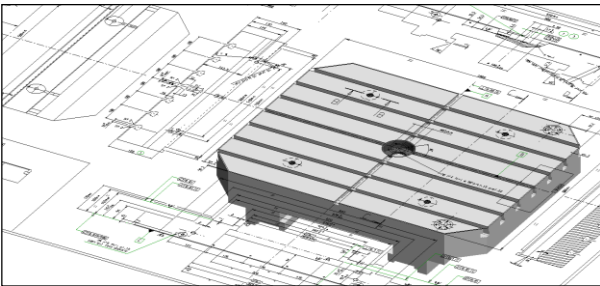


DRAFTING AND EDITING TOOLS

In ThinkDesign Drafting, all drafting and editing tools have a dynamic interface and method of use that give a new stimulus to traditional 2D drafting. The command list is long and worth describing by type. It includes all basic 2D geometric entities, plus polygons and curves, complex chain offsets, groups and shared groups controlled hierarchically and organized in libraries, details in scale, holes tables, a drawing cleanup utility to eliminate superimposed or fragmented entities, and interactive geometric transformations with preview. There is an excellent set of commands for creating and editing complex curves. A standard part environment is also available. In addition to creation and editing tools, there are extremely useful graphics functions, such as pan and zoom, bookmarks and state-of-the-art layer management. ThinkDesign Drafting fully exploits the Windows environment work modes so that multiple 2D drawings can be worked on simultaneously, for rapid re-use of parts or drawings with Drag&Drop or Copy&Paste. In addition, the tools can manage drawings with a large number of entities while maintaining high performance levels, and there is also a very useful undo/redo command that works on a user-definable number of operations.

COMPLETE MAKE-UP

A drawing cannot be used unless it has all of the elements required by technical drawing standards. Therefore, the user will find a complete set of tools for dimensioning, insertion of text, annotations and shape and position tolerances. There is a powerful command for the creation of sections with various types of backgrounds, capable to manage complex areas containing superimposed and intersecting geometric entities. For users who work with metal fabrications or welded parts, ThinkDesign Drafting offers a complete set of tools for representing and naming welds. Functions for balloon, automatic title block completion and part list creation are also available.



INTEGRATION WITH 3D AND PLM

The ThinkDesign Drafting environment lets you switch from 2D to 3D at any time, without having to learn new (and often complex) interfaces. ThinkDesign Drafting is part of ThinkDesign Suite, equipped with optimized and compatible 2D and 3D environments, and is completely integrated in thinkPLM, the suite of applications for PLM (Product Lifecycle Management). As a result, companies can protect and modify existing 2D data and safeguard their original investment, but can also switch to 3D, simply and efficiently, whenever necessary, with excellent management of information and documents.

AUTOCAD COMPATIBILITY

think3 is fully compatible with AutoCAD: 2D drawings can be imported into ThinkDesign Drafting, edited and re-used as if they were originals. ThinkDesign Drafting combines an advanced translation function with a modern and complete drawing architecture. DXF/DWG translators ensure integrity of AutoCAD entities and support of imported data

2D TRANSLATOR

ThinkDesign Drafting includes 2D translators for standard DWG, DXF, IGES and GBG Draftmaker formats to guarantee recovery of existing archives and 2-way dialogue with customers and suppliers.*

* Check details and availability for the various platforms

** [For the system requirements, please read this document](#)